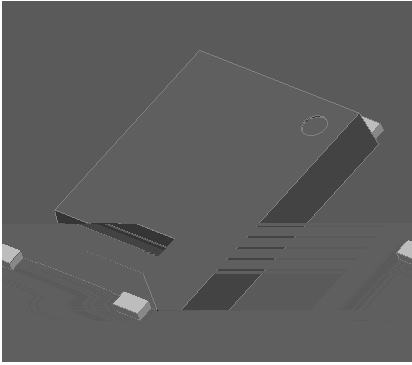


Bridge Rectifiers

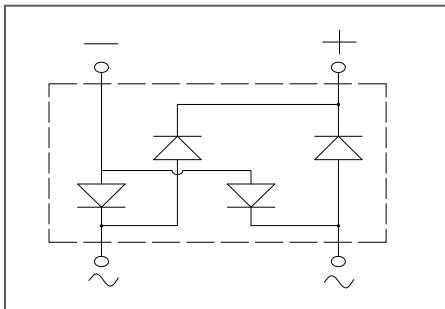


Features

- UL recognition, file #E313149
- Glass passivated chip junction
- Ideal for automated placement
- High surge current capability
- Meets MSL level 1, per J-STD-020, LF maximum peak of 260 °C

Typical Applications

General purpose use in AC/DC bridge full wave rectification for SMPS, lighting ballaster, adapter, battery charger, home appliances, office equipment, and telecommunication applications.



Mechanical Data

- Package:** YBS
- Molding compound meets UL 94 V-0 flammability rating, RoHS-compliant, Halogen-free
- Terminals:** Tin plated leads, solderable per J-STD-002 and JESD22-B102
- Polarity:** As marked on body

Maximum Ratings (T_a=25 Unless otherwise specified)

PARAMETER	SYMBOL	UNIT	YBS30005A	YBS3001A	YBS3002A	YBS3004A	YBS3006A	YBS3008A	YBS3010A
Device marking code			YBS30005A	YBS3001A	YBS3002			YBS3008A	YBS3010A
Maximum Repetitive Peak Reverse Voltage	V _{RRM}	V	50	100	200	400	600	800	1000
Maximum RMS Voltage	V _{RMS}	V	35	70	140	280	420	560	700
Maximum DC blocking Voltage	V _{DC}	V	50	100	200	400	600	800	





Outline Dimensions

YBS		
Dim	Min	Max
A	5.00	5.20
B	6.50	6.70
C	7.20	7.40
D	7.90	8.60
E	2.90	3.10
F		

Suggested pad layout

Dim	Min
P1	9.15
P2	7.10
Q1	1.80
Q2	2.00



Disclaimer